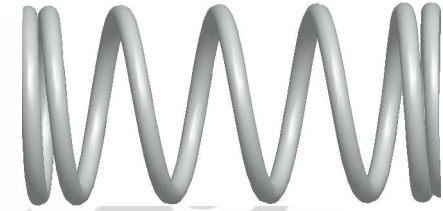
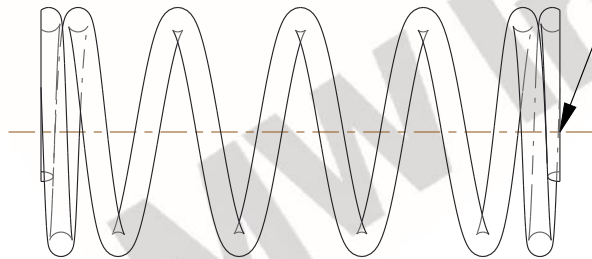


NOTES:

1. Material : Stainless Steel
2. Finish : Glod Irridite
3. Ends : Closed and Ground
4. Total Coils : 6.630
5. Sugg. Max. Deflection : 0.570 (in)
6. Sugg. Max. Load : 12.000 (lbs)
7. All Drawing Dimensions are in Inches [mm]



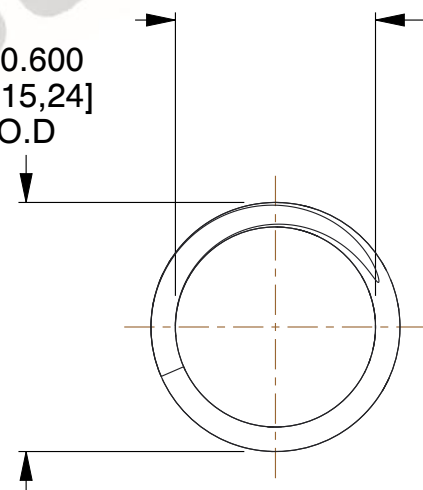
∅ 0.059
[1,50]
WIRE DIA



GROUND
SURFACE

1.910
[48,51]
LENGTH

∅ 0.600
[15,24]
O.D



∅ 0.482
[12,24]
I.D

COMPONENT		SPRINGS	
71757S COMPRESSION SPRINGS		UNIT	
		INCH [mm]	
		SHEET	
SCALE	2.162	1 of 1	