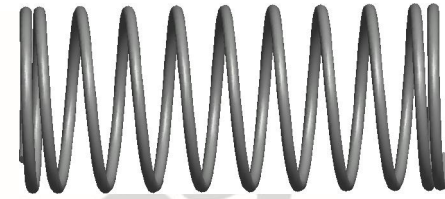
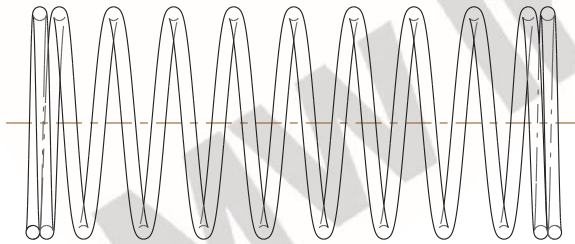


**NOTES:**

1. Material : Spring Steel
2. Finish : Zinc - Z
3. Ends : Closed
4. Total Coils : 11.000
5. Sugg. Max. Deflection : 0.990 (in)
6. Sugg. Max. Load : 1.500 (lbs)
7. All Drawing Dimensions are in Inches [mm]

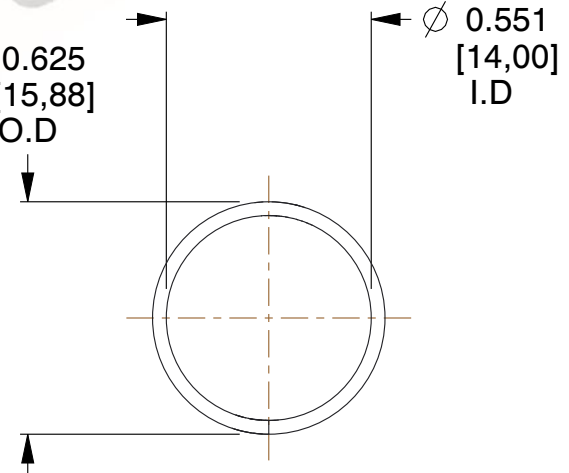


$\phi$  0.037  
 [0,94]  
 WIRE DIA



1.910  
 [48,51]  
 LENGTH

$\phi$  0.625  
 [15,88]  
 O.D



$\phi$  0.551  
 [14,00]  
 I.D

COMPONENT		SPRINGS	
<b>3879</b>  COMPRESSION SPRINGS		UNIT	INCH [mm]
		SHEET	1 of 1