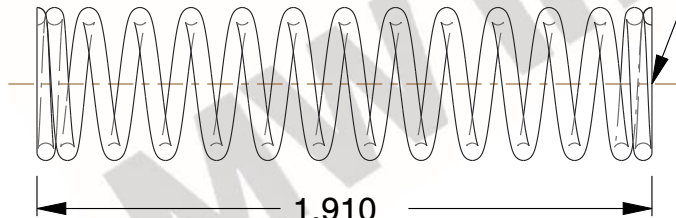


NOTES:

1. Material : Stainless Steel
2. Finish : Glod Irridite
3. Ends : Closed and Ground
4. Total Coils : 14.000
5. Sugg. Max. Deflection : 0.480 (in)
6. Sugg. Max. Load : 2.700 (lbs)
7. All Drawing Dimensions are in Inches [mm]

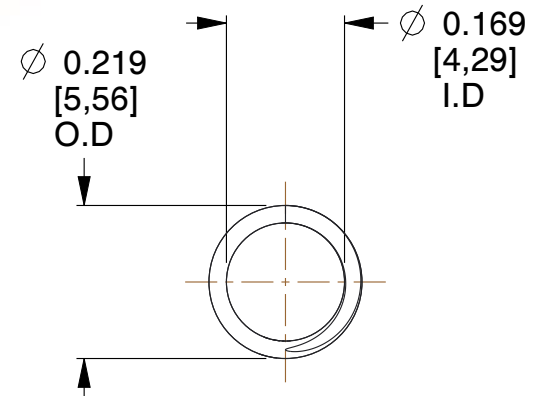


\varnothing 0.025
 [0,64]
 WIRE DIA



GROUND SURFACE

1.910
 [48,51]
 LENGTH



\varnothing 0.219
 [5,56]
 O.D

\varnothing 0.169
 [4,29]
 I.D

COMPONENT		SPRINGS	
S-1079		UNIT	
		INCH [mm]	
		SHEET	
COMPRESSION SPRINGS		1 of 1	