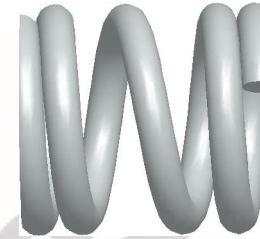
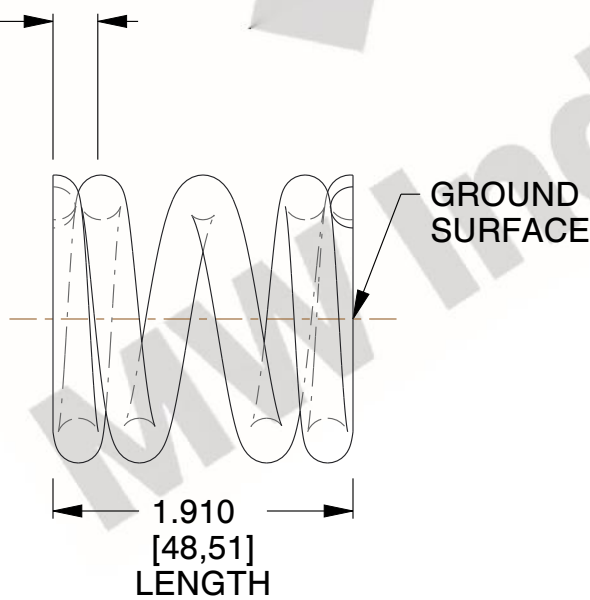


NOTES:

1. Material : Stainless Steel
2. Finish : Glod Irridite
3. Ends : Closed and Ground
4. Total Coils : 4.130
5. Sugg. Max. Deflection : 0.140 (in)
6. Sugg. Max. Load : 54.000 (lbs)
7. All Drawing Dimensions are in Inches [mm]

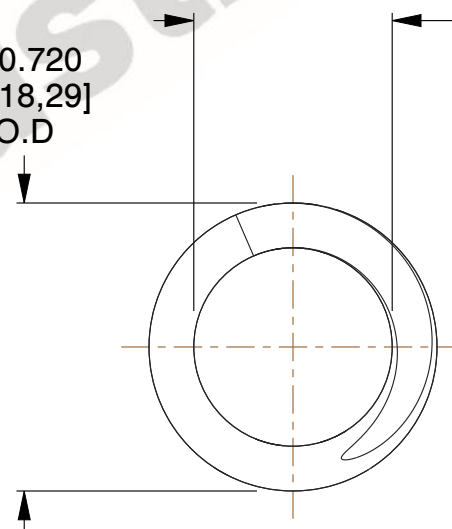


∅ 0.112
[2,84]
WIRE DIA



∅ 0.720
[18,29]
O.D

∅ 0.496
[12,60]
I.D



COMPONENT		SPRINGS	
72123S		UNIT	
		INCH [mm]	
		SHEET	
COMPRESSION SPRINGS		1 of 1	