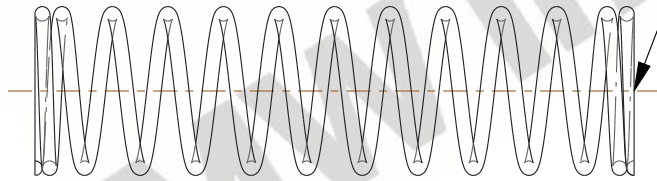


**NOTES:**

1. Material : Spring Steel
2. Finish : Black Oxide - BO
3. Ends : Closed and Ground
4. Total Coils : 13.000
5. Sugg. Max. Deflection : 0.980 (in)
6. Sugg. Max. Load : 3.800 (lbs)
7. All Drawing Dimensions are in Inches [mm]



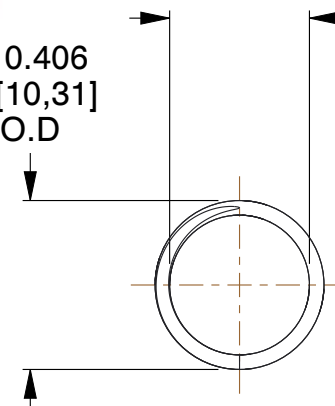
$\varnothing$  0.035  
 [0,89]  
 WIRE DIA



1.910  
 [48,51]  
 LENGTH

GROUND SURFACE

$\varnothing$  0.406  
 [10,31]  
 O.D



$\varnothing$  0.336  
 [8,53]  
 I.D

COMPONENT		SPRINGS	
<b>4250</b>  COMPRESSION SPRINGS		UNIT	INCH [mm]
		SHEET	1 of 1