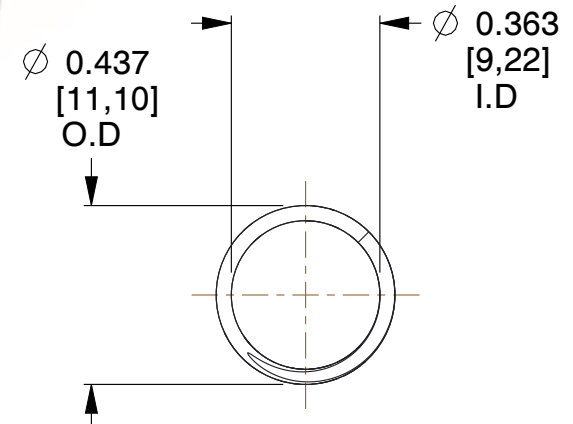
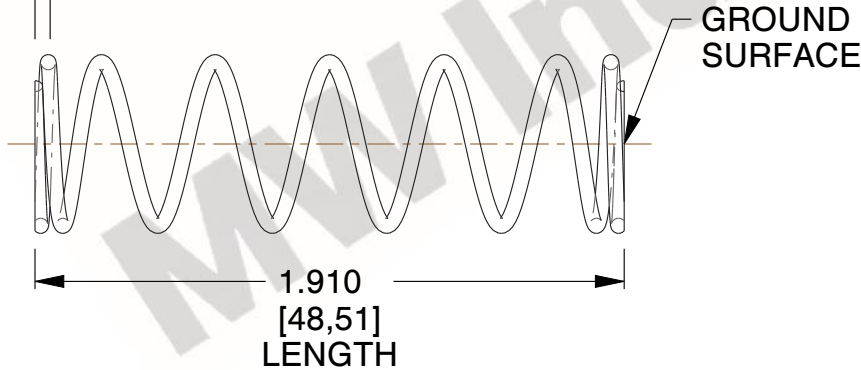


**NOTES:**

1. Material : Spring Steel
2. Finish : Zinc - Z
3. Ends : Closed and Ground
4. Total Coils : 7.750
5. Sugg. Max. Deflection : 0.610 (in)
6. Sugg. Max. Load : 4.500 (lbs)
7. All Drawing Dimensions are in Inches [mm]



$\varnothing$  0.037  
 [0,94]  
 WIRE DIA



COMPONENT		SPRINGS	
<b>B10-66</b>  COMPRESSION SPRINGS		UNIT	INCH [mm]
		SHEET	1 of 1