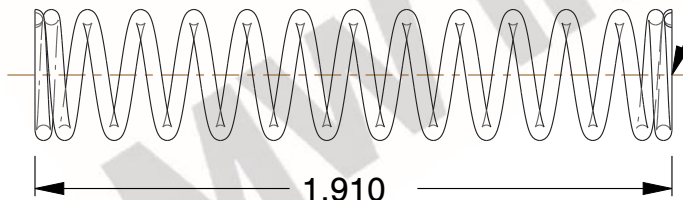


NOTES:

1. Material : Stainless Steel
2. Finish : Glod Irridite
3. Ends : Closed and Ground
4. Total Coils : 14.100
5. Sugg. Max. Deflection : 1.300 (in)
6. Sugg. Max. Load : 27.000 (lbs)
7. All Drawing Dimensions are in Inches [mm]

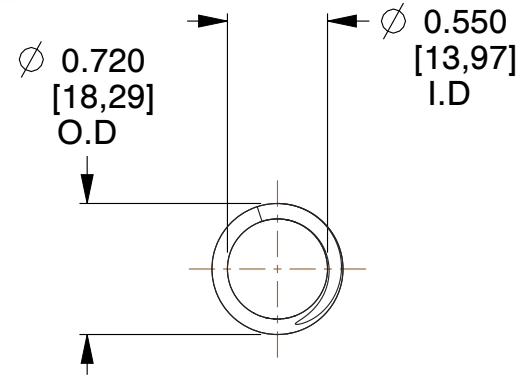


\varnothing 0.085
 [2,16]
 WIRE DIA



1.910
 [48,51]
 LENGTH

GROUND SURFACE



\varnothing 0.720
 [18,29]
 O.D

\varnothing 0.550
 [13,97]
 I.D

COMPONENT		SPRINGS	
72081S COMPRESSION SPRINGS		UNIT	INCH [mm]
		SHEET	1 of 1