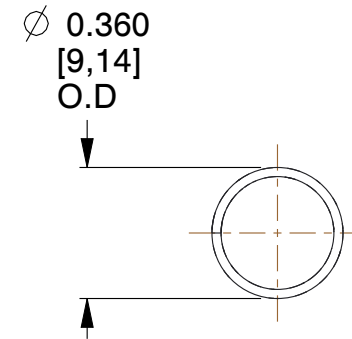
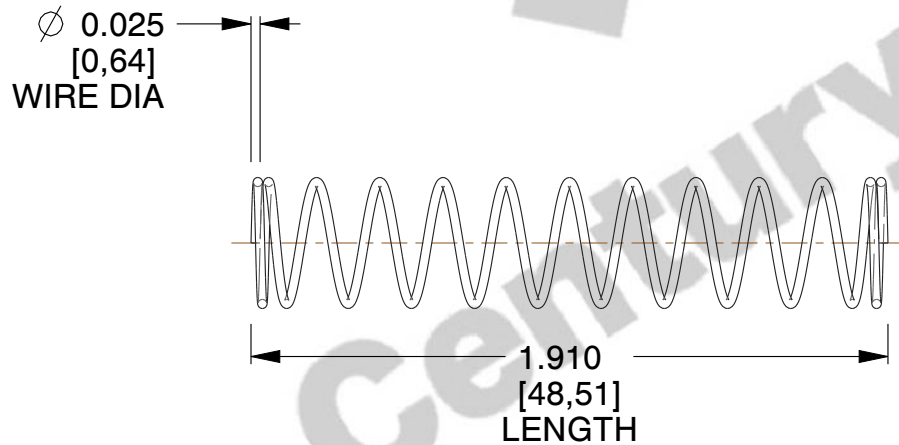
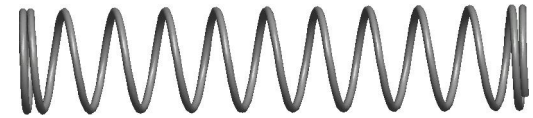


NOTES:

1. Material : Music Wire
2. Finish : Zinc - Z
3. Ends : Closed
4. Total Coils : 12.500
5. Sugg. Max. Deflection : 1.400 (in)
6. Sugg. Max. Load : 2.000 (lbs)
7. All Drawing Dimensions are in Inches [mm]



COMPONENT		SPRINGS	
FF-96 COMPRESSION SPRINGS		UNIT	INCH [mm]
		SHEET	1 of 1