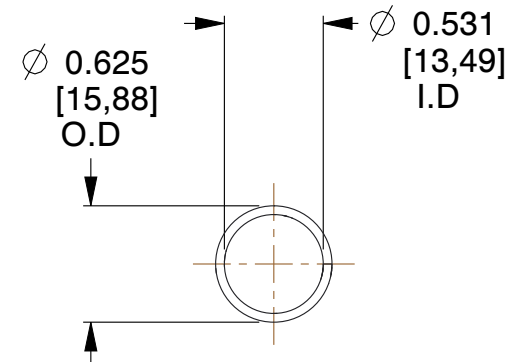
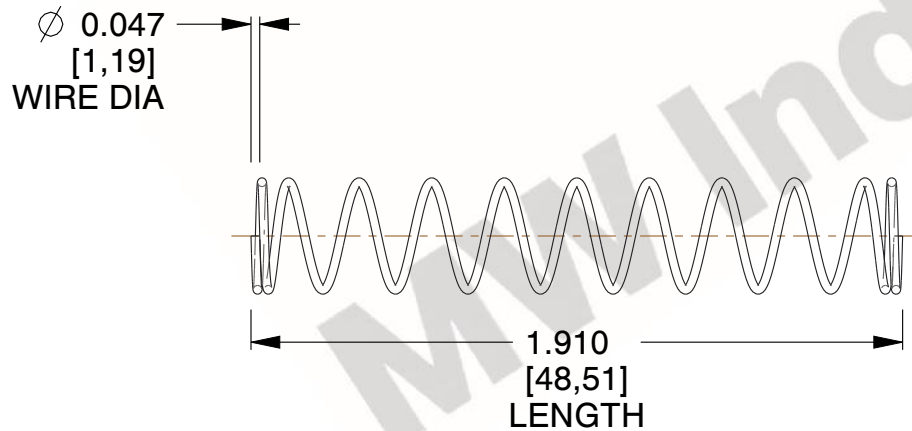


NOTES:

1. Material : Hard Drawn
2. Finish : Gold Iridite - GI
3. Ends : Closed
4. Total Coils : 11.500
5. Sugg. Max. Deflection : 1.700 (in)
6. Sugg. Max. Load : 6.500 (lbs)
7. All Drawing Dimensions are in Inches [mm]



COMPONENT		SPRINGS	
4156 COMPRESSION SPRINGS		UNIT	INCH [mm]
		SHEET	1 of 1