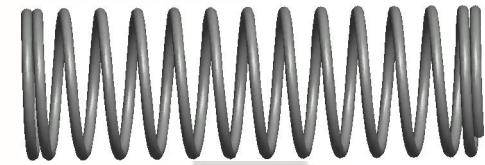
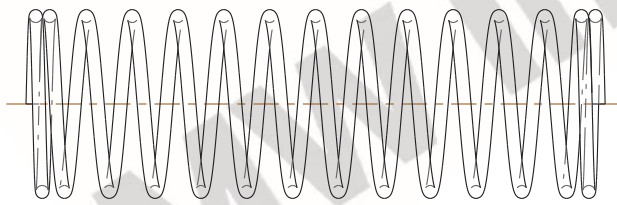


**NOTES:**

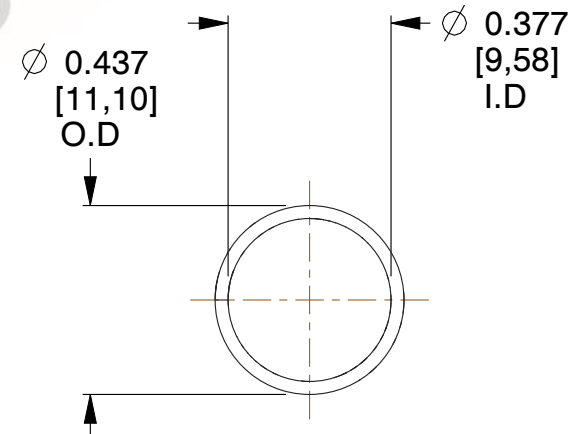
1. Material : Music Wire
2. Finish : Zinc - Z
3. Ends : Closed
4. Total Coils : 14.500
5. Sugg. Max. Deflection : 0.880 (in)
6. Sugg. Max. Load : 1.200 (lbs)
7. All Drawing Dimensions are in Inches [mm]



$\varnothing$  0.030  
 [0,76]  
 WIRE DIA



1.910  
 [48,51]  
 LENGTH



$\varnothing$  0.437  
 [11,10]  
 O.D

$\varnothing$  0.377  
 [9,58]  
 I.D

COMPONENT		SPRINGS	
<b>3598</b>  COMPRESSION SPRINGS		UNIT	INCH [mm]
		SHEET	1 of 1