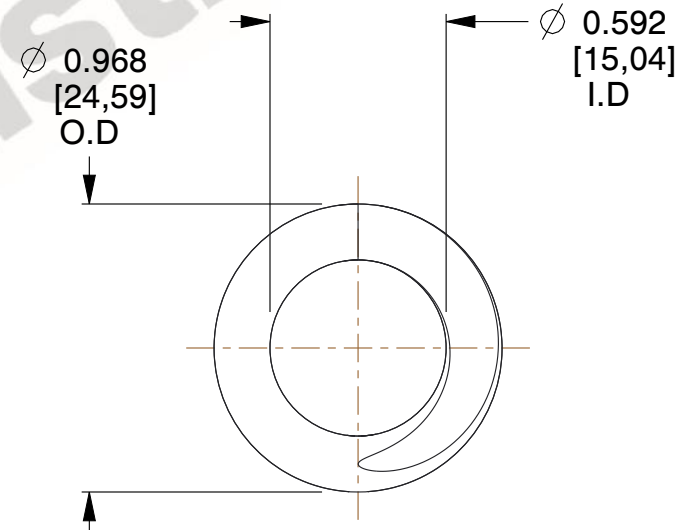
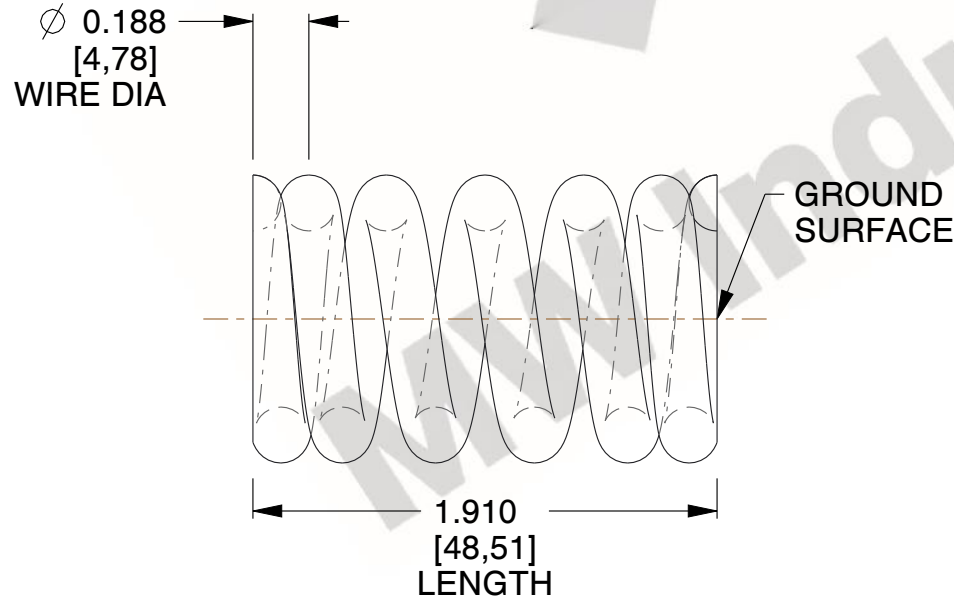
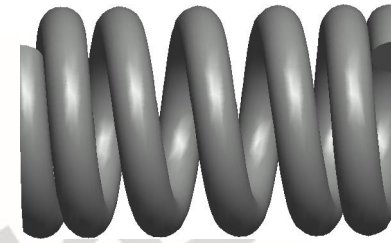


**NOTES:**

1. Material : Hard Drawn
2. Finish : Zinc - Z
3. Ends : Closed and Ground
4. Total Coils : 6.000
5. Sugg. Max. Deflection : 0.190 (in)
6. Sugg. Max. Load : 184.000 (lbs)
7. All Drawing Dimensions are in Inches [mm]



COMPONENT	SPRINGS
<b>12770</b>	UNIT
	INCH [mm]
	SHEET
	1 of 1
COMPRESSION SPRINGS	