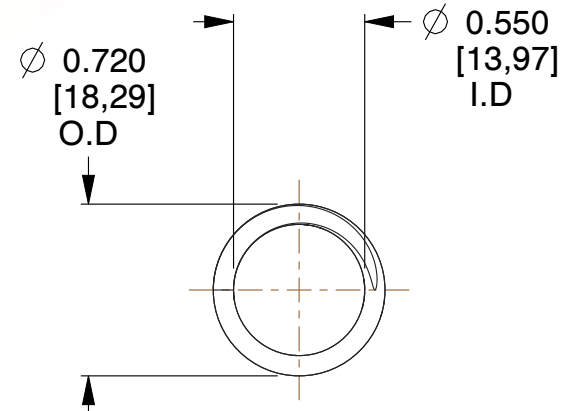
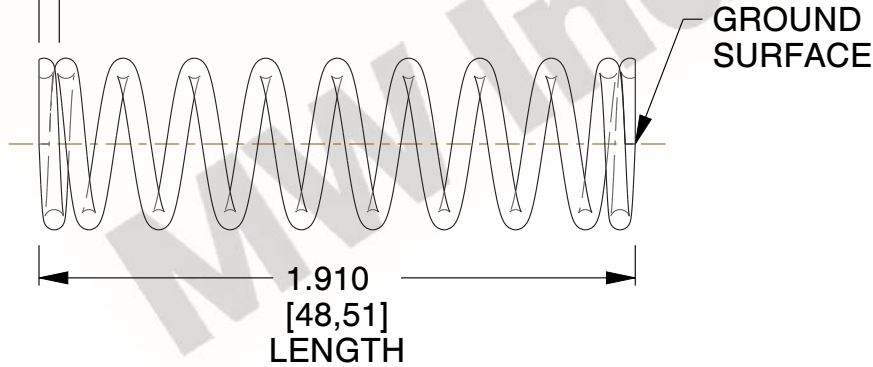


NOTES:

1. Material : Stainless Steel
2. Finish : Glod Irridite
3. Ends : Closed and Ground
4. Total Coils : 10.500
5. Sugg. Max. Deflection : 0.920 (in)
6. Sugg. Max. Load : 27.000 (lbs)
7. All Drawing Dimensions are in Inches [mm]



∅ 0.085
[2,16]
WIRE DIA



COMPONENT		SPRINGS	
72078S COMPRESSION SPRINGS		UNIT	
		INCH [mm]	
		SHEET	
		1 of 1	