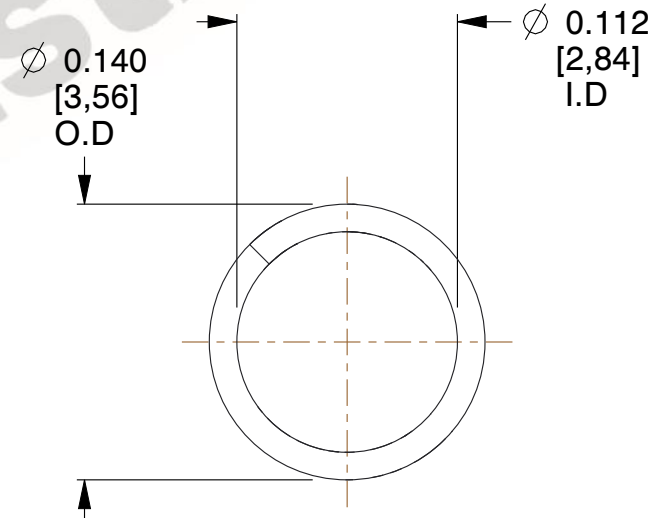
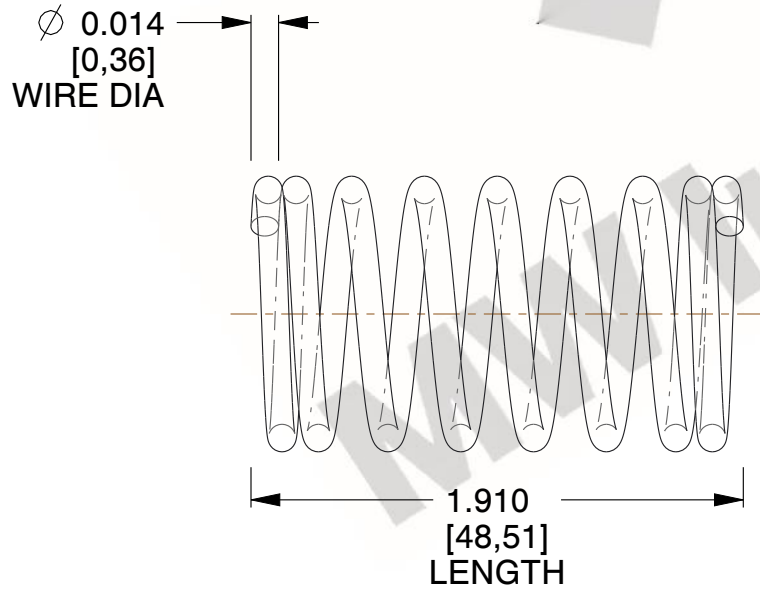
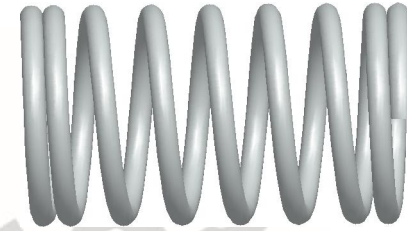


**NOTES:**

1. Material : Stainless Steel
2. Finish : Glod Irridite
3. Ends : Closed
4. Total Coils : 8.250
5. Sugg. Max. Deflection : 0.120 (in)
6. Sugg. Max. Load : 0.460 (lbs)
7. All Drawing Dimensions are in Inches [mm]



COMPONENT		SPRINGS	
<b>Z-7</b>  COMPRESSION SPRINGS		UNIT	INCH [mm]
		SHEET	1 of 1