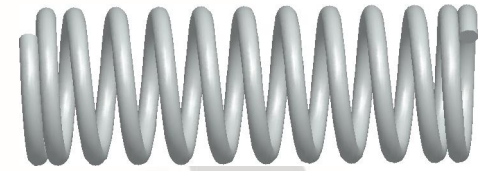
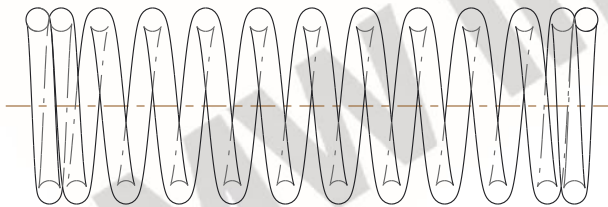


NOTES:

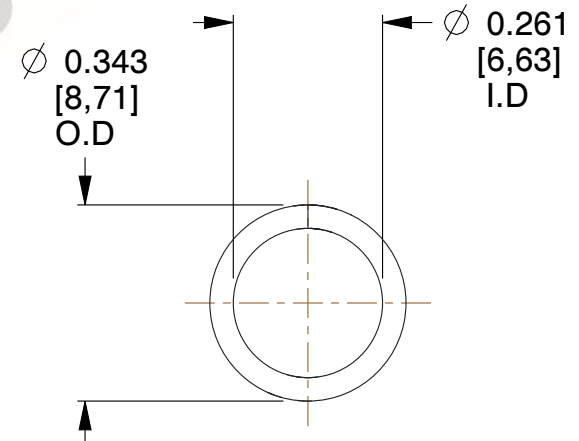
1. Material : Stainless Steel
2. Finish : Glod Irridite
3. Ends : Closed
4. Total Coils : 12.000
5. Sugg. Max. Deflection : 0.470 (in)
6. Sugg. Max. Load : 6.000 (lbs)
7. All Drawing Dimensions are in Inches [mm]



\varnothing 0.041
 [1,04]
 WIRE DIA



1.910
 [48,51]
 LENGTH



COMPONENT		SPRINGS	
S-313 COMPRESSION SPRINGS		UNIT	INCH [mm]
		SHEET	1 of 1