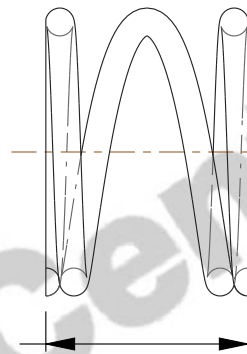


**NOTES:**

1. Material : Spring Steel
2. Finish : Zinc - Z
3. Ends : Closed and Ground
4. Total Coils : 3.000
5. Sugg. Max. Deflection : 0.100 (in)
6. Sugg. Max. Load : 8.300 (lbs)
7. All Drawing Dimensions are in Inches [mm]



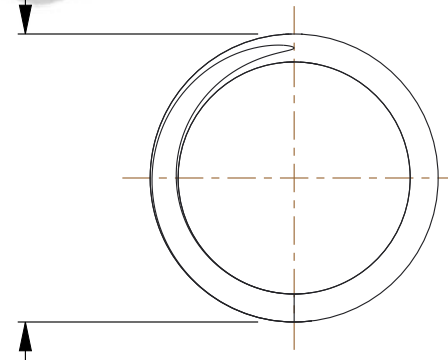
∅ 0.047  
[1,19]  
WIRE DIA



1.910  
[48,51]  
LENGTH

GROUND  
SURFACE

∅ 0.484  
[12,29]  
O.D



COMPONENT		SPRINGS	
<b>L-6</b>  COMPRESSION SPRINGS		UNIT	
		INCH [mm]	
		SHEET	
		1 of 1	