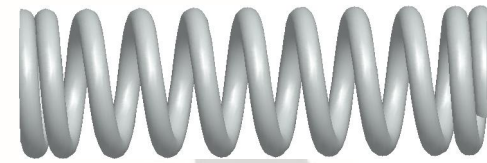
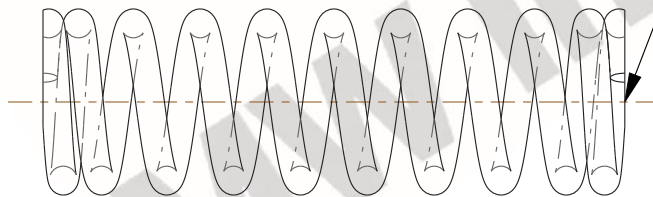


NOTES:

1. Material : Stainless Steel
2. Finish : Glod Irridite
3. Ends : Closed and Ground
4. Total Coils : 10.400
5. Sugg. Max. Deflection : 0.530 (in)
6. Sugg. Max. Load : 54.000 (lbs)
7. All Drawing Dimensions are in Inches [mm]

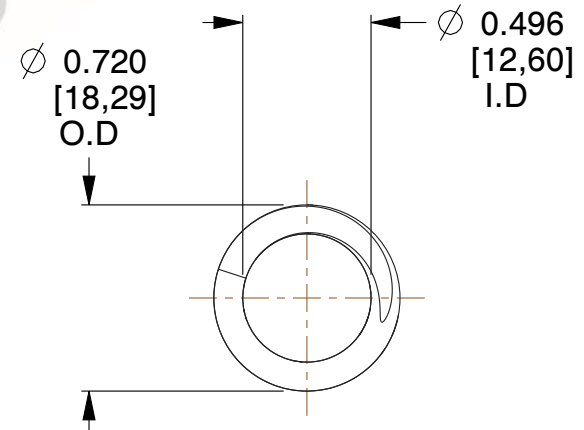


\varnothing 0.112
 [2,84]
 WIRE DIA



1.910
 [48,51]
 LENGTH

GROUND SURFACE



\varnothing 0.720
 [18,29]
 O.D

\varnothing 0.496
 [12,60]
 I.D

| COMPONENT | | SPRINGS | |
|--|--|---------|-----------|
| 72130S COMPRESSION SPRINGS | | UNIT | INCH [mm] |
| | | SHEET | 1 of 1 |
| | | | |