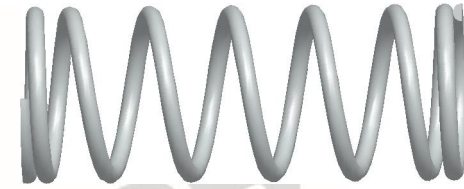
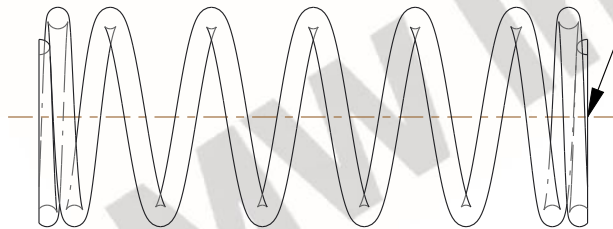


NOTES:

1. Material : Stainless Steel
2. Finish : Glod Irridite
3. Ends : Closed and Ground
4. Total Coils : 7.750
5. Sugg. Max. Deflection : 0.710 (in)
6. Sugg. Max. Load : 12.000 (lbs)
7. All Drawing Dimensions are in Inches [mm]



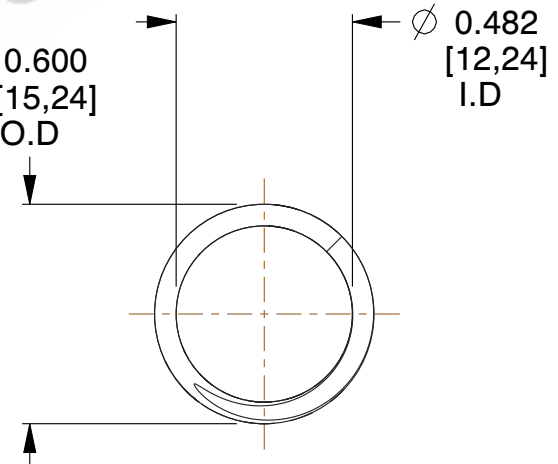
\varnothing 0.059
 [1,50]
 WIRE DIA



GROUND SURFACE

1.910
 [48,51]
 LENGTH

\varnothing 0.600
 [15,24]
 O.D



\varnothing 0.482
 [12,24]
 I.D

COMPONENT		SPRINGS	
71758S COMPRESSION SPRINGS		UNIT	INCH [mm]
		SHEET	1 of 1