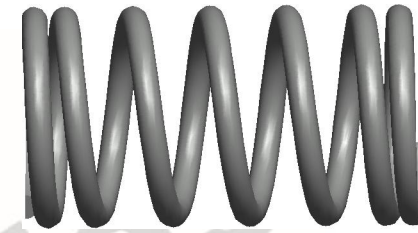
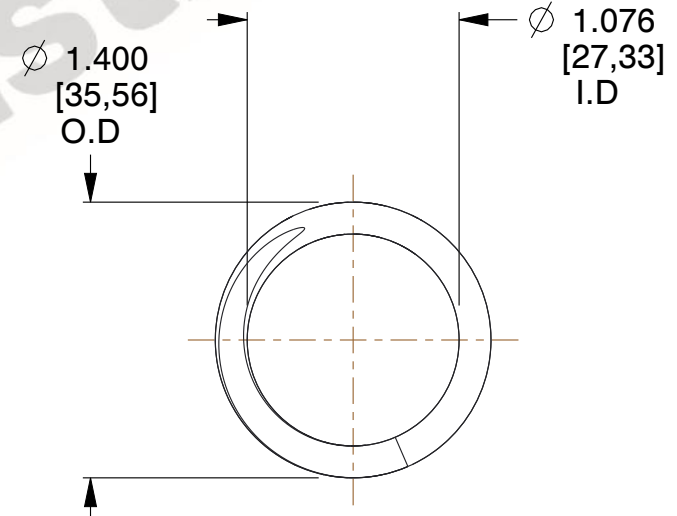
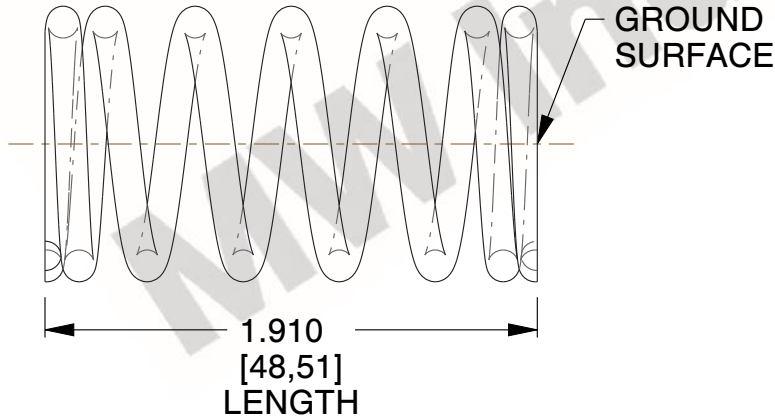


NOTES:

1. Material : Music Wire
2. Finish : Glod Irridite
3. Ends : Closed and Ground
4. Total Coils : 7.130
5. Sugg. Max. Deflection : 1.200 (in)
6. Sugg. Max. Load : 127.000 (lbs)
7. All Drawing Dimensions are in Inches [mm]



\varnothing 0.162
 [4,11]
 WIRE DIA



COMPONENT		SPRINGS	
72767		UNIT	
		INCH [mm]	
		SHEET	
COMPRESSION SPRINGS		1 of 1	