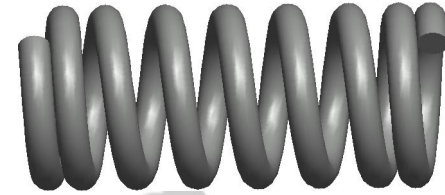
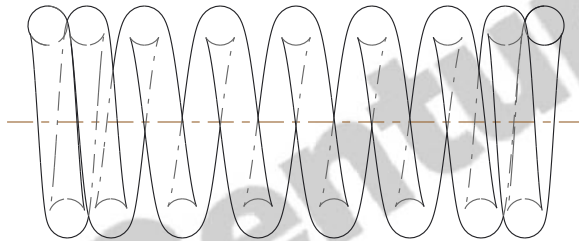


NOTES:

1. Material : Spring Steel
2. Finish : Zinc - Z
3. Ends : Closed
4. Total Coils : 8.000
5. Sugg. Max. Deflection : 0.240 (in)
6. Sugg. Max. Load : 42.000 (lbs)
7. All Drawing Dimensions are in Inches [mm]

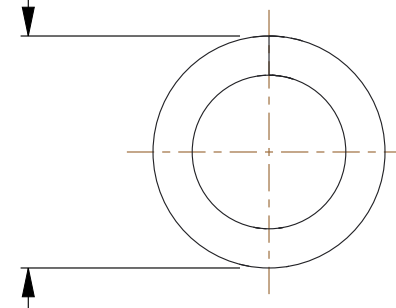


ϕ 0.087
 [2,21]
 WIRE DIA



1.910
 [48,51]
 LENGTH

ϕ 0.515
 [13,08]
 O.D



COMPONENT		SPRINGS	
11338 COMPRESSION SPRINGS		UNIT	INCH [mm]
		SHEET	1 of 1