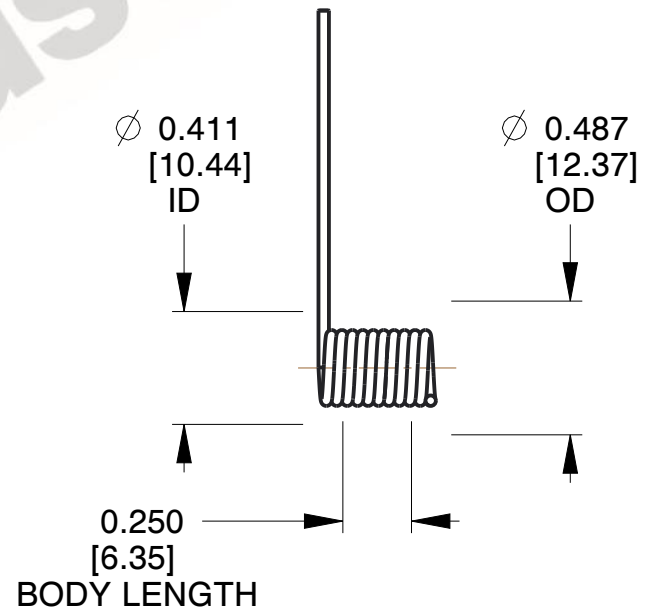
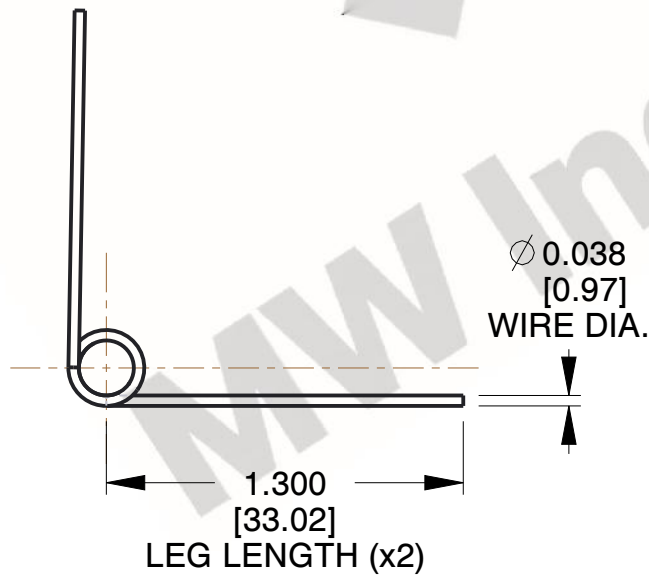
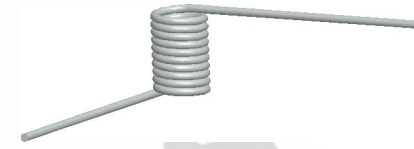


NOTES:

1. Material : Stainless Steel
2. Finish : Zinc - Z
3. Sugg. Max. Deflection : 157.000 Deg
4. Sugg. Max. Torque : 1.000 (in-lbs)
5. Total Coils : 5.000
6. Sugg. Mandrel Diameter : 0.320 (in)
7. All Drawing Dimensions are in Inches [mm]



COMPONENT	TORSION SPRINGS	
TO-5127LS TORSION SPRINGS	UNIT	INCH [mm]
	SHEET	1 of 1