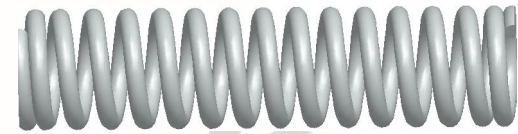
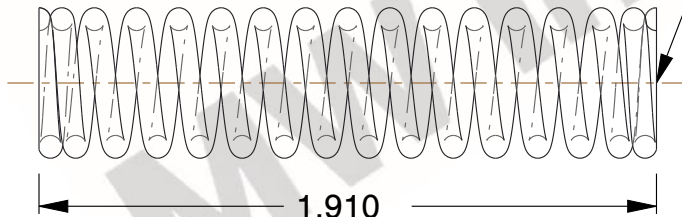


**NOTES:**

1. Material : Stainless Steel
2. Finish : Glod Irridite
3. Ends : Closed and Ground
4. Total Coils : 16.000
5. Sugg. Max. Deflection : 1.200 (in)
6. Sugg. Max. Load : 89.000 (lbs)
7. All Drawing Dimensions are in Inches [mm]

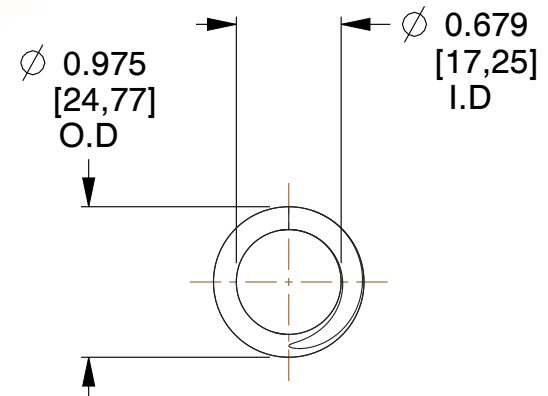


$\varnothing$  0.148  
 [3,76]  
 WIRE DIA



1.910  
 [48,51]  
 LENGTH

GROUND SURFACE



$\varnothing$  0.975  
 [24,77]  
 O.D

$\varnothing$  0.679  
 [17,25]  
 I.D

COMPONENT		SPRINGS	
<b>72481S</b>  COMPRESSION SPRINGS		UNIT	INCH [mm]
		SHEET	1 of 1