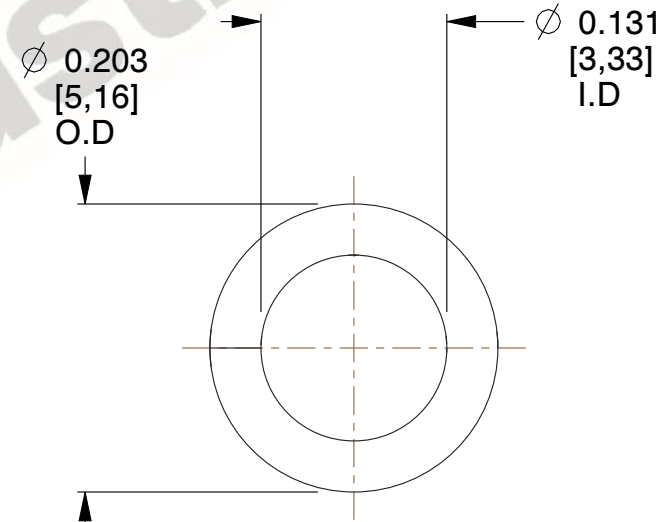
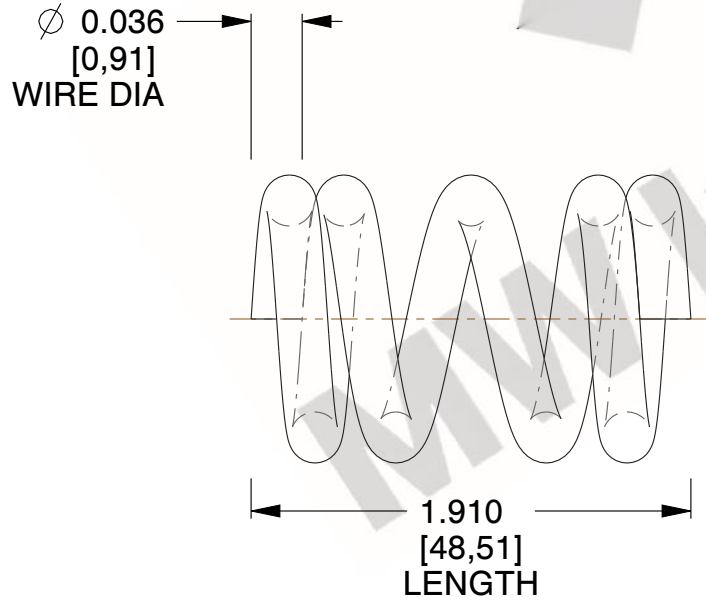
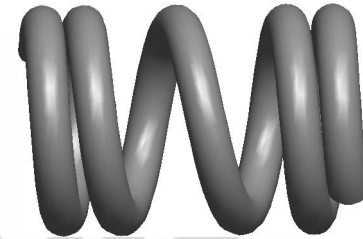


NOTES:

1. Material : Spring Steel
2. Finish : Zinc - Z
3. Ends : Closed
4. Total Coils : 4.500
5. Sugg. Max. Deflection : 0.050 (in)
6. Sugg. Max. Load : 8.400 (lbs)
7. All Drawing Dimensions are in Inches [mm]



COMPONENT		SPRINGS	
DD-54 COMPRESSION SPRINGS		UNIT	INCH [mm]
		SHEET	1 of 1