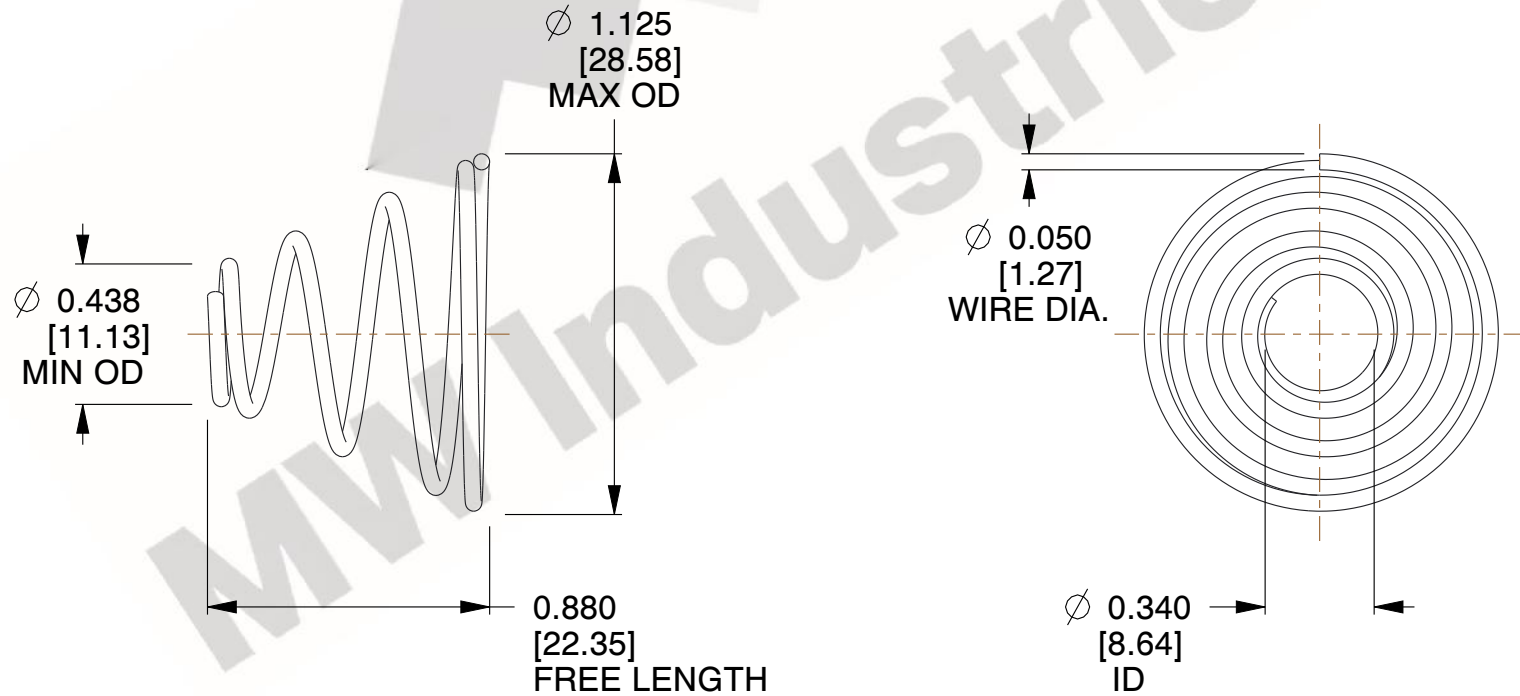
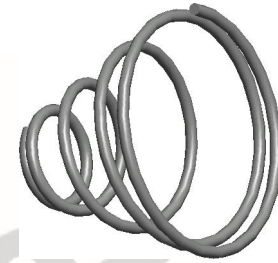


NOTES:

1. Material : Spring Steel
2. Total Coils : 4.500
3. Solid Height : 0.100 (in)
4. Finish : Zinc - Z
5. Ends : Closed
6. All Drawing Dimensions are in Inches [mm]



COMPONENT	TAPERED SPRINGS
-----------	-----------------