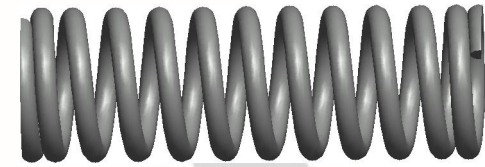
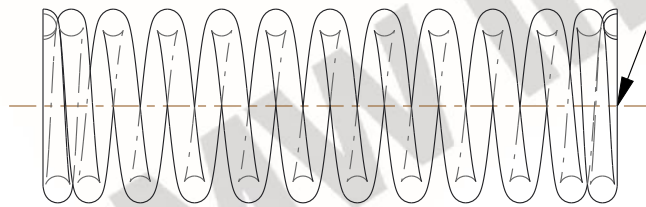


NOTES:

1. Material : Music Wire
2. Finish : Glod Irridite
3. Ends : Closed and Ground
4. Total Coils : 12.100
5. Sugg. Max. Deflection : 2.100 (in)
6. Sugg. Max. Load : 292.000 (lbs)
7. All Drawing Dimensions are in Inches [mm]

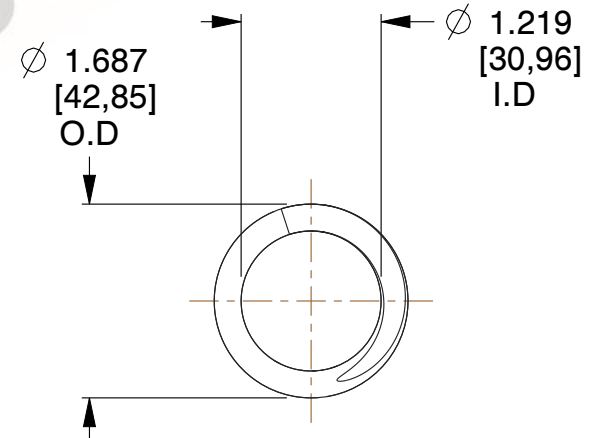


\varnothing 0.234
 [5,94]
 WIRE DIA



1.910
 [48,51]
 LENGTH

GROUND SURFACE



\varnothing 1.687
 [42,85]
 O.D

\varnothing 1.219
 [30,96]
 I.D

COMPONENT		SPRINGS	
72930 COMPRESSION SPRINGS		UNIT	INCH [mm]
		SHEET	1 of 1