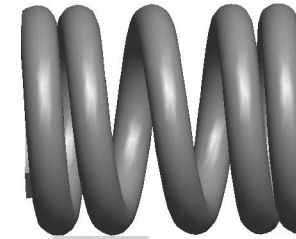
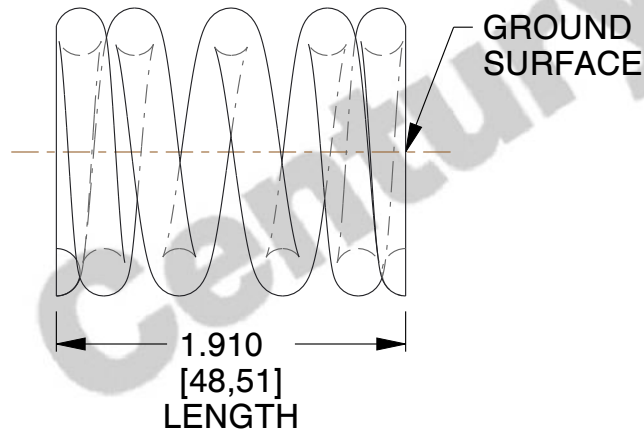


NOTES:

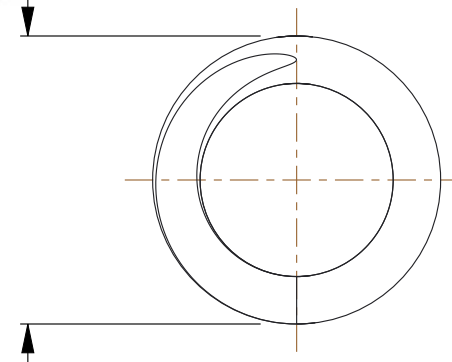
1. Material : Spring Steel
2. Finish : Zinc - Z
3. Ends : Closed and Ground
4. Total Coils : 5.000
5. Sugg. Max. Deflection : 0.110 (in)
6. Sugg. Max. Load : 28.000 (lbs)
7. All Drawing Dimensions are in Inches [mm]



∅ 0.072
[1,83]
WIRE DIA



∅ 0.437
[11,10]
O.D



COMPONENT		SPRINGS	
4206 COMPRESSION SPRINGS		UNIT	INCH [mm]
		SHEET	1 of 1