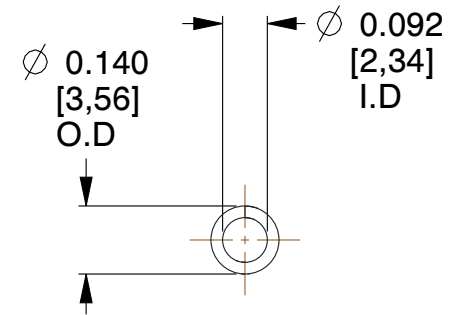
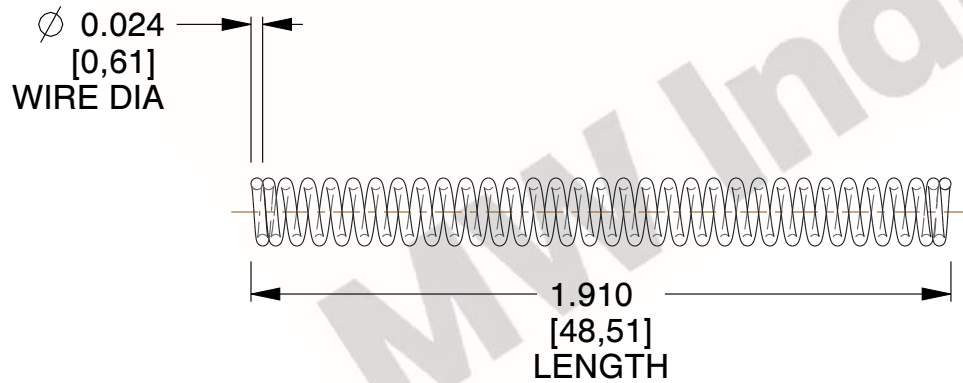


**NOTES:**

1. Material : Music Wire
2. Finish : Gold Irridite - GI
3. Ends : Closed
4. Total Coils : 32.000
5. Sugg. Max. Deflection : 0.550 (in)
6. Sugg. Max. Load : 5.600 (lbs)
7. All Drawing Dimensions are in Inches [mm]



COMPONENT		SPRINGS	
<b>N-108</b>		UNIT	
		INCH [mm]	
		SHEET	
COMPRESSION SPRINGS		1 of 1	