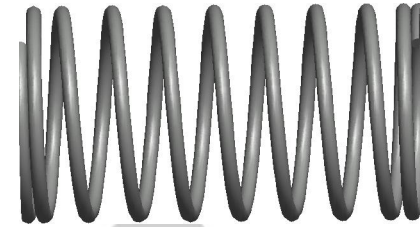
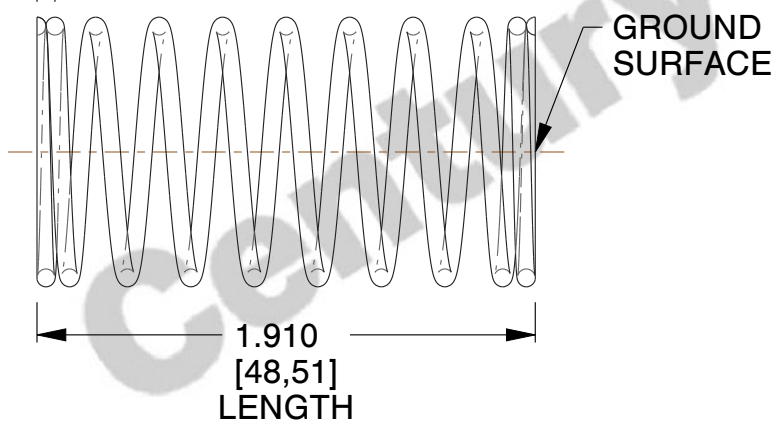


NOTES:

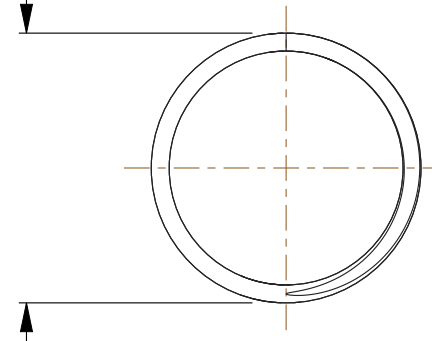
1. Material : Music Wire
2. Finish : Glod Irridite
3. Ends : Closed and Ground
4. Total Coils : 10.000
5. Sugg. Max. Deflection : 0.480 (in)
6. Sugg. Max. Load : 0.840 (lbs)
7. All Drawing Dimensions are in Inches [mm]



\varnothing 0.027
 [0,69]
 WIRE DIA



\varnothing 0.406
 [10,31]
 O.D



COMPONENT		SPRINGS	
V-7 COMPRESSION SPRINGS		UNIT	INCH [mm]
		SHEET	1 of 1