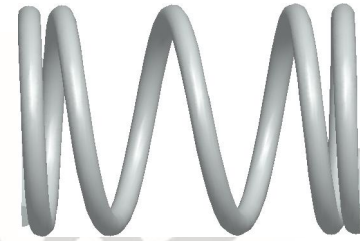
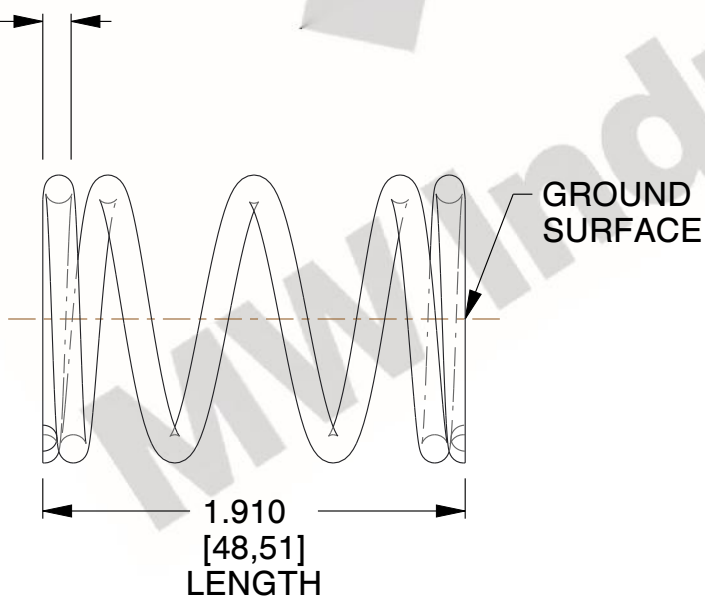


**NOTES:**

1. Material : Stainless Steel
2. Finish : Glod Irridite
3. Ends : Closed and Ground
4. Total Coils : 5.130
5. Sugg. Max. Deflection : 0.390 (in)
6. Sugg. Max. Load : 12.000 (lbs)
7. All Drawing Dimensions are in Inches [mm]

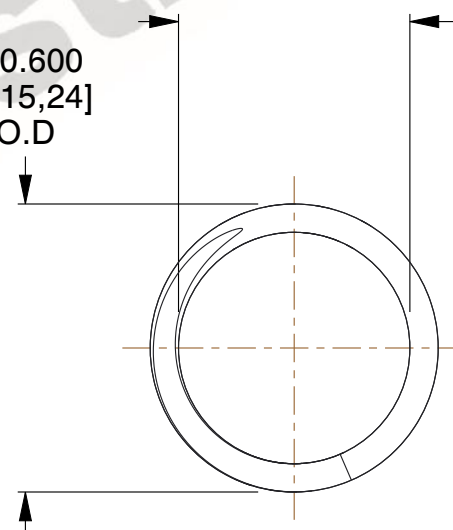


∅ 0.059  
[1,50]  
WIRE DIA



∅ 0.600  
[15,24]  
O.D

∅ 0.482  
[12,24]  
I.D



COMPONENT		SPRINGS	
<b>71755S</b>		UNIT	
		INCH [mm]	
		SHEET	
COMPRESSION SPRINGS		1 of 1	